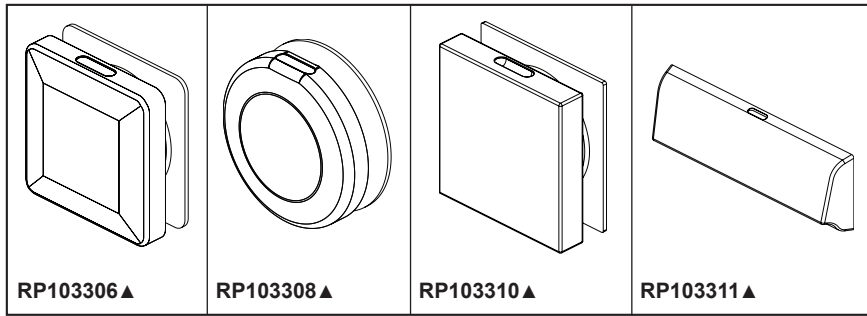




see what Delta can doSM

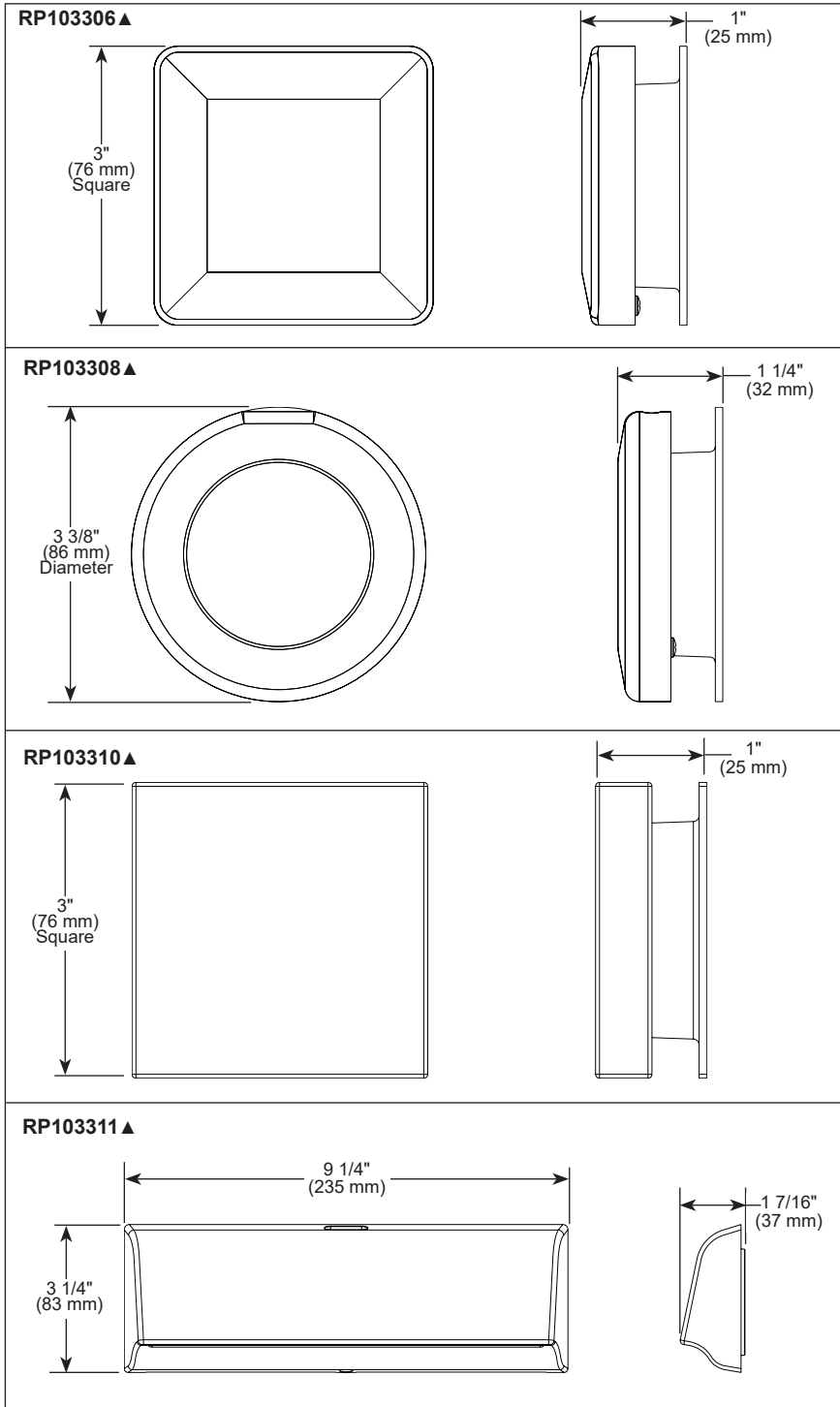
STEAMHEAD

- Transitional Square (RP103306▲)
- Contemporary Round (RP103308▲)
- Contemporary Square (RP103310▲)
- Unilateral (RP103311▲)



Submitted Model No.: _____

Specific Features: _____



STANDARD SPECIFICATIONS:

- Includes 3/4" NPT female thread for connection to steam line
- Steam line should protrude 1/4" to 1/2" from finished surface
- Steam head should be mounted 12" - 18" above the finished floor or 6" above the rim of the tub. The mounting location must also not be directly beneath the control and should be as far from the seating area as possible.
- Includes silicone cover

WARRANTY

- See separate warranty document

▲ Designate Proper Finish Suffix

Delta reserves the right (1) to make changes in specifications and materials, and (2) to change or discontinue models, both without notice or obligation. Dimensions are for reference only. See current full-line price book or www.deltafaucet.com for finish options and product availability.

Delta Faucet Company

55 E. 111th Street, Indianapolis, IN 46280
 350 South Edgeware Road, St. Thomas, ON N5P 4L1
 © 2023 Delta Faucet Company